

Reliable access controller for you building

The Akuvox A092S is a double door access controller with Ethernet interface. It support 20,000 users and various functions that enable you to control who comes into your building. And the backup battery and tamper proof design makes that more secure and reliable.

At a Glance

- Stylish appearance;
- Supports TCP/IP communication and web interface for management;
- Supports up to 20,000 cards and 100,000 card presenting records;
- Supports multi-door interlock function and anti-pass back function;
- Supports RS-485, OSDP, Wiegand protocol for accessing card readers;
- Support emergency door release(EDR);
- Support tamper proof alarm;
- Easy to use with Akuvox ACMS;
- Back up battery design;

**Physical & Power**

- Front panel: SGCC
- RAM / ROM: 64MB / 128MB
- Power input: 100~240VAC 50/60Hz
- Wiegand port: 4
- Relays out: 2
- Exit button input: 2
- RS485 port: Support
- Ethernet port: RJ45, 10/100 Mbps, adaptive
- Status lights: Support
- Tamper proof alarm: Support
- Power output: 12V 800mA per door for locks/strikes, readers, and input devices
- Backup battery system: 12VDC, 7Ah Battery
- Installation: Wall-mounted
- Dimension: 365 x 340 x 86 (mm)
- Working Humidity: 10%~90%
- Working Temperature: -20C° ~ +55C°
- Storage Temperature: -40C° ~ +70C°

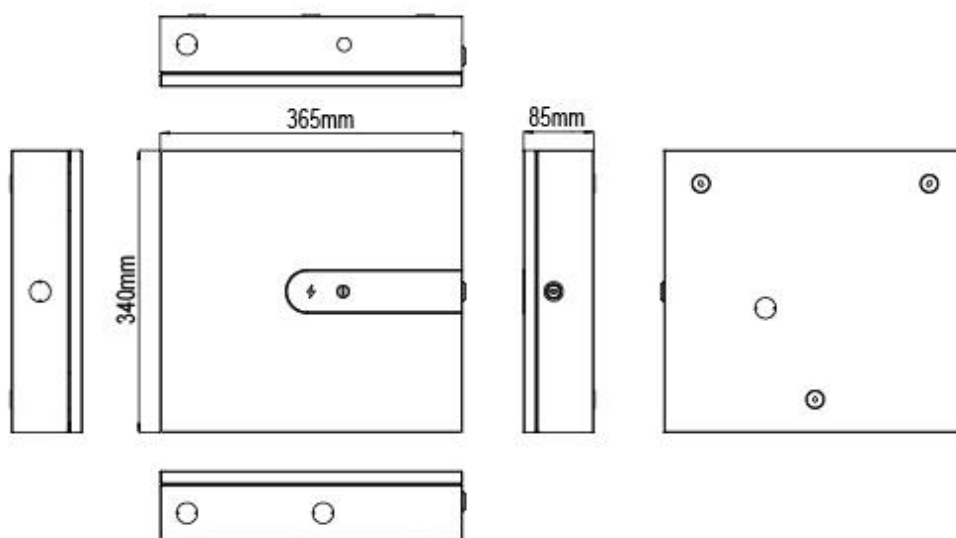
Door Entry Feature

- 20,000 card storage
- Anti-pass back function
- Multi-door interlock function
- Access table export/import
- Access level management
- Door access logs query and export

Card Readers

- Support wiegand 26/34 readers
- Support OSDP readers
- Support RS485 readers

Dimension



Networking

- Protocols support: IPv4, HTTP, HTTPS, FTP, TFTP, SNMP, DNS, SNTP, TCP, UDP, TLS, ICMP, DHCP, ARP

Deployment & Maintenance

- Auto-Provisioning
- Web management portal
- Web-based packet dump
- Configuration backup / restore
- Firmware upgrade
- System logs